



# ECW and ECWS Series

## "Classroom" Surface Wrap Around Units

**Application:** This "Classroom" surface mounted wrap around unit is designed for use in most commercial, residential, and institutional type applications. The unit provides maximum light output and is available in 1, 2, or 3 lamp options with or without a specular mirror.

**Construction:** Housing is designed from heavy gauge die formed and is finished in baked white enamel or polyester powder coating for maximum durability and reflectivity. Clear acrylic prismatic wrap around diffuser snaps on and off for easy maintenance.

**Electrical:** All units are furnished with UL Listed Class P thermally protected ballast. Fixtures meet requirements for UL Luminaire Standard # 1598. All units comply with National Energy Standards.

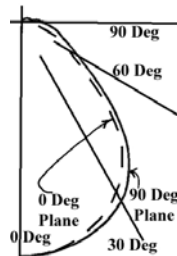
**Mounting:** Unit is equipped with knockouts and holes for pendant or surface mounting. This Fixture can be mounted individually or continuous run.



Coefficients Utilization Zonal Cavity Method

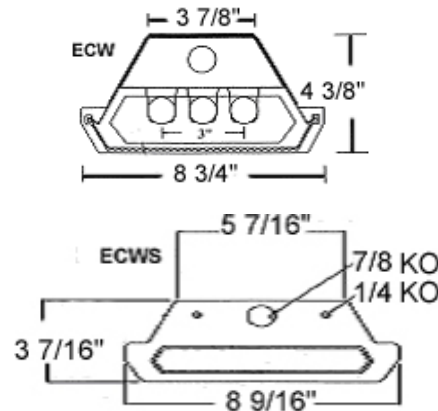
RC	80%				70%				50%		
RW	70	50	30	10	70	50	30	10	50	30	10
0	80	80	80	80	78	78	78	78	73	73	73
1	74	72	68	66	72	69	67	64	65	63	62
2	68	63	59	55	66	61	58	54	58	55	53
3	63	56	51	48	61	55	51	47	53	49	46
4	58	51	45	41	56	49	44	41	47	43	40
5	53	45	40	35	52	44	39	35	42	38	34
6	49	41	35	31	48	40	35	31	38	34	30
7	46	37	31	27	44	36	31	27	35	30	27
8	42	33	28	24	41	33	27	24	31	27	23
9	39	30	24	21	38	29	24	21	28	24	20
10	36	27	22	18	35	27	22	18	26	21	18

1 Tube Photometric Curve



Fixture Length			
T12	T8	T5	Length
F40T12	F32T8	F28T5	48"
F96T12	F96T8	---	96"

**For Tandem Units:**  
Multiply lamp length above by lamp quantity



Maximum Weight = 18 lbs. / 48" 35 lbs. / 96"

### Ordering Information

Specifications Subject To Change Without Notice

Model	# Lamps	Lamp Type	Ballast	Voltage	Options
<b>ECW -</b>	<b>2</b>	<b>32</b>	<b>E</b>		
ECW (Standard) 4.50" deep	1 = One 2 = Two 3 = Three	<u>T5 Lamps</u> 28T5 = 28W 46"	M = Magnetic E = Electronic .88 BF E-LW = Electronic .77 BF E-O = Electronic 1.18 BF	Blank = 120V 277 = 277 V MV = Multi Volt	REF = Specular Mirror Reflector EMB = Emergency Ballast
ECWS (Shallow) 3.50" deep	<u>Single Row</u> 21 = Two Tube 31 = Three Tube 41 = Four Tube	<u>T8 Lamps</u> 32 = 32W 48 96T8 = F96T8			
	<u>Double Row</u> 22 = Four Tube <u>Triple Row</u> 23 = Six Tube	<u>T12 Lamps</u> 40 = 40W 48" 96 = F96T12			

K-B Lighting Mfg. Co., Inc. 2101 Byberry Road, Philadelphia, PA 19116  
(215) 673-6400 phone (215) 673-6431 fax [sales@kblighting.com](mailto:sales@kblighting.com) email