

# ALC Series



## Aluminum Channel



**Application:** Aluminum covered and gasketed unit is designed for use in most outdoor areas. ALC Series is ideal for such areas as shopping centers, walkways, under eaves, dock areas, or any place that is not directly in contact with the rain or chemicals.

**Construction:** Housing and end plates are designed from heavy gauge die formed aluminum that resists rust and corrosion. Unit is finished in baked white enamel for maximum reflectivity and durability. Neoprene and rubber gaskets ensure moisture seal and protect components from corrosion. Lens is extruded 100% clear virgin acrylic that resists yellowing.

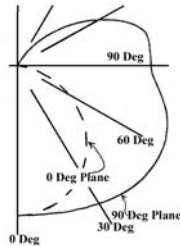
**Electrical:** All units are furnished with UL Listed Class P thermally protected ballast. Other voltages are available upon request. Fixtures meet requirements for UL Luminaire Standard # 1598. All units comply with National Energy Standards.

**Mounting:** Knockouts available for both pendant and surface mounting. This unit is designed to be mounted individually or in a continuous run.

Coefficients Utilization Zonal Cavity Method

RF	20											
	80%				70%				50%			
RC	70	50	30	10	70	50	30	10	50	30	10	
0	105	105	105	105	99	99	99	99	89	89	89	
1	92	87	82	77	87	82	78	74	74	70	67	
2	83	74	66	60	78	70	63	58	62	57	53	
3	75	64	56	49	70	61	53	47	54	48	43	
4	68	56	47	41	64	53	45	39	48	41	36	
5	62	49	40	33	59	46	38	32	42	35	30	
6	56	43	35	28	53	41	33	27	37	30	25	
7	52	39	30	24	49	37	29	23	33	26	21	
8	48	35	26	21	45	33	25	20	30	23	18	
9	44	31	23	18	41	30	22	17	27	20	16	
10	41	28	21	16	39	27	20	15	24	18	14	

Photometric Curve

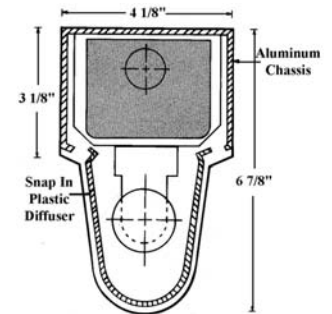


Fixture Length

T12	T12HO	T8	T8HO	Length
F40T12	F48T12HO	F32T8	---	48"
F72T12	F72T12HO	---	---	72"
F96T12	F96T12HO	FT6T8	F96T8HO	96"

For Tandem Units:

Multiply lamp length above by lamp quantity



Maximum Weight= 12 lbs. / 48" 25 lbs. / 96"

### Ordering Information

Specifications Subject To Change Without Notice

Model	# Lamps	Lamp Type	Ballast	Voltage	Options
<b>ALC-</b>	<b>1</b>	<b>32</b>	<b>E</b>		
ALC	1 = One  Tandem 21 = Two Tube	<b>T8 Lamps</b> 32 = F32T8 96T8 = F96T8 96T8HO = F96T8HO  <b>T12 Lamps</b> 40 = F40T12	<b>T12 Single Pin</b> 48 = F48T12 72 = F72T12 96 = F96T12 <b>T12 High Output</b> 48HO = F48T12HO 72HO = F72T12HO 96HO = F96T12HO	<b>M</b> = Magnetic <b>E</b> = Electronic .88BF <b>E-LW</b> = Electronic .77BF <b>E-O</b> = Electronic 1.18BF	<b>Blank</b> = 120V <b>277</b> = 277 V <b>MV</b> = Multi Volt  <b>TOG</b> = Toggle Switch <b>ROC</b> = Rocker Switch <b>PULL</b> = Pull Switch

K-B Lighting Mfg. Co., Inc. 2101 Byberry Road, Philadelphia, PA 19116  
(215) 673-6400 phone (215) 673-6431 fax [sales@kblighting.com](mailto:sales@kblighting.com) email