



OD Series

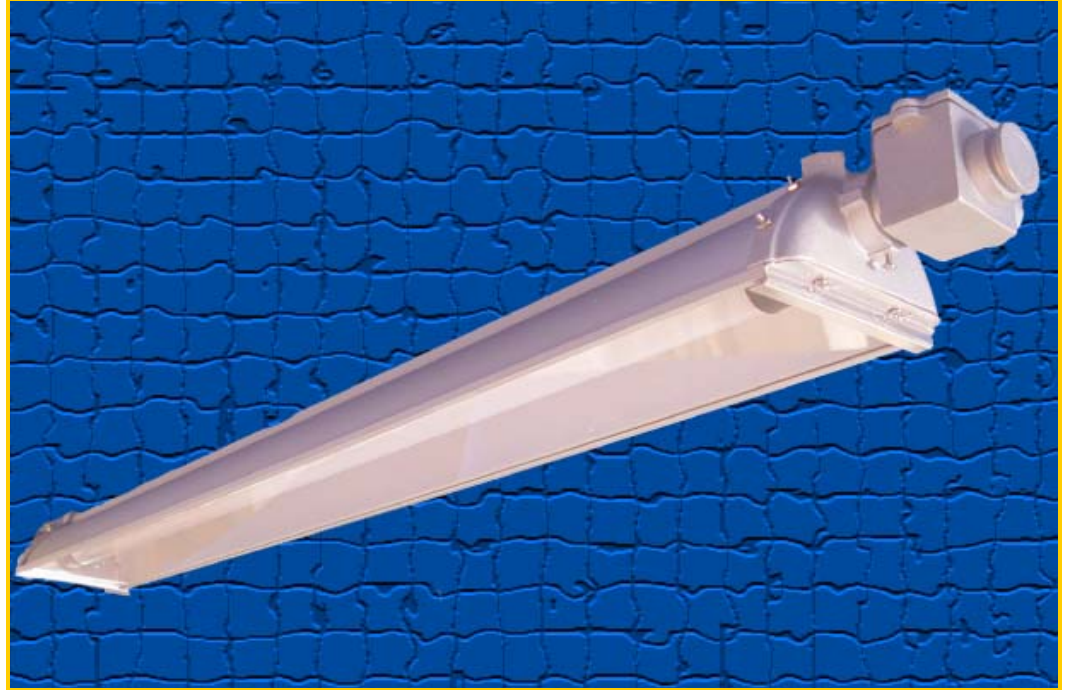
Outdoor Billboard Sign Units

Application: This billboard unit provides high light levels with even distribution, for spot lighting. The unit is weather resistant and suitable for most outdoor applications.

Construction: Housing is made of heavy gauge extruded aluminum with die cast end plates and splice box fittings. Housing interior is finished in a baked enamel finish for maximum reflectivity and durability. Splice box is threaded for 3/4" conduit and contains adjusting screws for housing. Lens is clear smooth slide-on acrylic that resists yellowing.

Electrical: All units are furnished with UL Listed Class P thermally protected ballast. Other voltages are available upon request. Fixtures meet requirements for UL Luminaire Standard # 1598. All units comply with National Energy Standards.

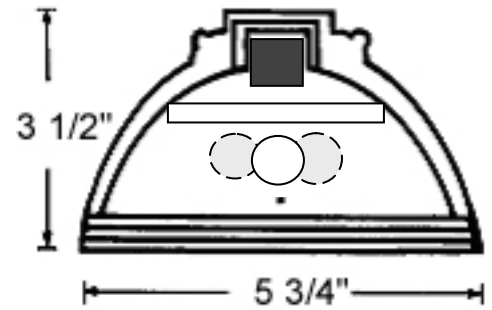
Mounting: Units are designed to be conduit mounted either individually, tandem, or in a continuous run.



Fixture Length

# of Lamps	T5HO	Length
1 or 2	F54T5HO	53"
TANDEM		
Single or Double	F54T5HO	101"

For Tandem Units Multiply Unit above by 2



Maximum Weight = 11 lbs. / 53" 15 lbs. / 101"

Ordering Information

Specifications Subject To Change Without Notice

Model	# Lamps	Lamp Type	Ballast	Voltage
ODH-	2	T5HO	E	
OD	1 = One <u>Single Tube Tandem</u> 21 = Single Tandem <u>Double Tube Tandem</u> 22 = Double tandem	<u>T5 HO Lamps</u> 54T5HO = F54T5HO	E = Internal T5 Electronic Ballast	Blank = 120V thru 277V

K-B Lighting Mfg. Co., Inc. 2101 Byberry Road, Philadelphia, PA 19116
 (215) 673-6400 phone (215) 673-6431 fax sales@kblighting.com email