



131 Series

1x4, 2x2, 2x4 Flanged Recessed Plaster Ceiling Unit

Application: This flanged plaster ceiling recessed fixture is designed especially for use in plaster or concealed type ceiling. Wide 1" flange surrounds perimeter of fixture and covers ceiling opening causing clean recessed appearance.

Construction: Housing is designed from heavy gauge die formed steel in baked white enamel or polyester powder coating for maximum reflectivity and durability. Hinged steel door with mitered corners are equipped with side latched allowing for easy relamping and maintenance. Lens is clear prismatic non-yellowing acrylic.

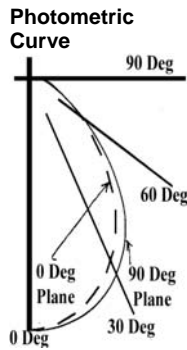
Electrical: All units are furnished with UL Listed Class P thermally protected ballast. Other voltages are available upon request. Fixtures meet requirements for UL Luminaire Standard # 1598. All units comply with National Energy Standards.

Mounting: Unilugs are installed in outer side wall of fixture allowing fixture support with a simple turn of a screw.



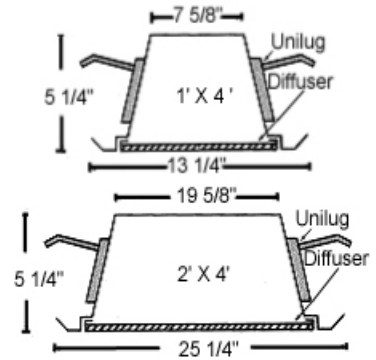
Coefficients Utilization Zonal Cavity Method

RC	20										
	80%				70%				50%		
RW	70	50	30	10	70	50	30	10	50	30	10
0	80	80	80	80	79	79	79	79	75	75	75
1	75	72	69	67	73	70	68	66	67	66	64
2	69	64	60	57	67	63	59	56	60	57	55
3	64	57	52	49	62	56	52	48	54	51	47
4	59	51	46	42	57	51	46	42	49	45	41
5	54	46	40	36	53	45	40	36	44	39	36
6	50	41	36	32	49	41	35	32	40	35	31
7	46	37	32	28	45	37	31	28	36	31	27
8	42	34	28	24	41	33	28	24	32	27	24
9	39	30	25	21	38	30	24	21	29	24	21
10	36	27	22	19	35	27	22	19	26	22	18



Fixture Length			
T12	T8	T5	Length
F20T12	F17T8	F14T5	24"
F40T12	F32T8	F28T5	48"
U Lamps		Biax	
F031U	---	---	24"
F32U6	F40BX	---	
F40T12U6	---	---	

Ceiling Opening			
Nom. Fixture Size	W	L	
131	1 X 2	11 1/2"	24 1/4"
131	1 X 4	11 1/2"	48 1/4"
231	2 X 2	23 1/2"	24 1/4"
231	2 X 4	23 1/2"	48 1/4"



Maximum Weight = 45 lbs. / 48"

Ordering Information

Specifications Subject To Change Without Notice

Model	# Lamps	Lamp Type	Ballast	Voltage	Options	Lens and Louvers
131-	2	32	E			
131	1 = One 2 = Two 3 = Three 4 = Four	T8 Lamps 17 = F17T8 32 = F32T8 T12 Lamps 20 = F20T12 40 = F40T12 T5 Lamps 14T5 = F14T5 28T5 = F28T5 U Lamps 31/U = F031/U 15/8" 32U6 = F32/U6 6" 40U6 = F40T12/U6 Biax 40BX = F40BX	M = Magnetic E = Electronic .88 BF E-LW = Electronic .77 BF E-O = Electronic 1.18 BF E-DIM = Dimming Unit	Blank = 120V 277 = 277 V MV = Multi Volt	EMB = Emergency Ballast REF = Mirror Aluminum Reflector RAD = Regresses Aluminum Door	DD = Acrylic Deep Dish Lens EG = 1/2" White Egg Crate Louver SIL = 3/4" Silver Parabolic Louver SIL2 = 1 1/2" Silver Para. Louver