



FL Series

Medium Flood Light

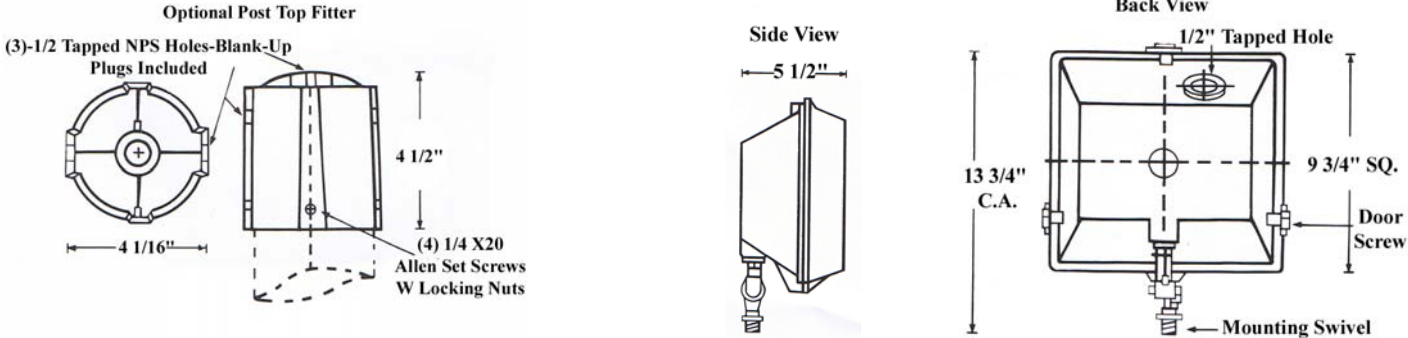
Application:

- Warehouses
- Tunnels
- Loading Docks
- Parking Garages
- Apartment Buildings
- Shopping Centers
- Factory Entrances
- Hospitals

Construction: Two piece heavy duty die cast aluminum housing and door. Die cast swivel allows for accurate adjustment of light beam once installed. Provision for photocell included. The diffuser is High impact tempered glass provided with silicone rubber gasket to keep fixture water-tite. Diffuser secures to housing door by means of four L shaped steel brackets. The reflector is anodized aluminum. This unit is available in high pressure sodium and metal halide.

Electrical: UL Listed for wet and damp Locations

Mounting: This units mounts to most cast outdoor boxes. Post Top Fitter available for post mounting. This units is suitable indoor or outdoor application.



Ordering Information

Specifications Subject To Change Without Notice

Model	# Lamps	Lamp Type		Voltage	Options
FL-	1				
FL -	1 = One	<u>High Pressure Sodium</u> 35-HPS = 35W 50-HPS = 50W 70-HPS = 70W 100-HPS = 100W 150-HPS = 150W	<u>Metal Halide</u> 70MH = 70 W 100MH = 100 W 150MH = 150W 175MH = 175W	Blank = 120V	CELL = Photocell FITTER = Post Top Fitter POLY = Polycarbonate Guard HPF = Capacitor to make unit HPP

K-B Lighting Mfg. Co., Inc. 2101 Byberry Road, Philadelphia, PA 19116
 (215) 673-6400 phone (215) 673-6431 fax sales@kblighting.com email