

WPS Series



Small Wall Pack



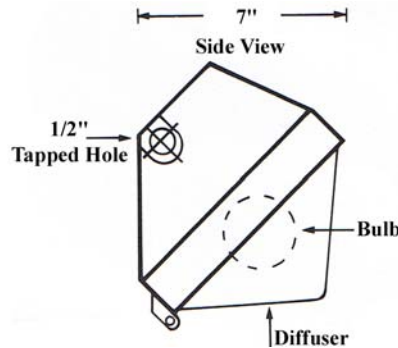
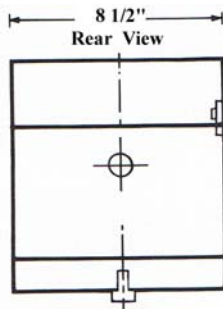
Application:

- Warehouses
- Tunnels
- Loading Docks
- Parking Garages
- Apartment Buildings
- Shopping Centers
- Factory Entrances
- Hospitals

Construction: Die cast aluminum with 3/4" openings for secure conduit connections and photocell. Also provided with tab and four threaded openings for securing the diffuser. Clear Prismatic, injection molded, polycarbonate lens. Provided with two tabs along the metal hinge pin and four screws to secure the lens to the housing. Silicon gasket included to keep unit water-tite. The reflector is multi-faceted anodized aluminum designed for optimal performance which secures to housing by means of two screws.

Electrical: UL Listed for wet and damp Locations

Mounting: Wall mount for indoor and outdoor use.



Ordering Information

Specifications Subject To Change Without Notice

Model		Lamp Type	Voltage	Options
WPS	1	35-HPS		
WPS	1= One	35-HPS = 35W 50-HPS = 50W 70-HPS = 70W 100-HPS = 100W	Blank = 120V	CELL = Photocell PLATE = Mounting Plate HPF = Capacitor to make Unit HPF

K-B Lighting Mfg. Co., Inc. 2101 Byberry Road, Philadelphia, PA 19116
 (215) 673-6400 phone (215) 673-6431 fax sales@kblighting.com email